



EC PLASTIC

80*80*25.....	page 2
80*80*38.....	page 3
92*92*25.....	page 4
92*92*32.....	page 5
92*92*38.....	page 6
120*120*25.....	page 7
120*120*38(5).....	page 8
120*120*38(7).....	page 9
120*120*38(9).....	page 10
140*140*25.....	page 11
150*150*50(3).....	page 12
150*150*50(5).....	page 13
150*150*50(7).....	page 14
171*50.....	page 15
171*150*51(3).....	page 16
171*150*51(5).....	page 17
200*200*60.....	page 18
254*89.....	page 19

Head Office : No. 6-6-3, Gushan 3rd Rd., Gushan District, Kaohsiung City 804, Taiwan (R.O.C.)

Export Dep : Rm 06,B1F., No 321, Dadun 4th St., Nantun Dist., Taichung City 408, Taiwan (R.O.C.)

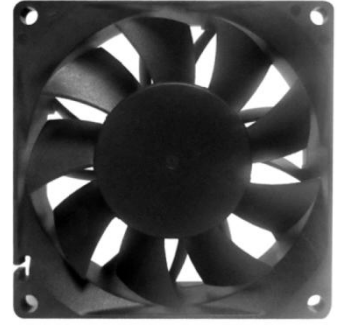
Head Office Tel : 886-7-532 5777 Fax : 886-7-532 6777 Export Dep : 886-4-24718676

E-mail: sales@chanyu.com.tw



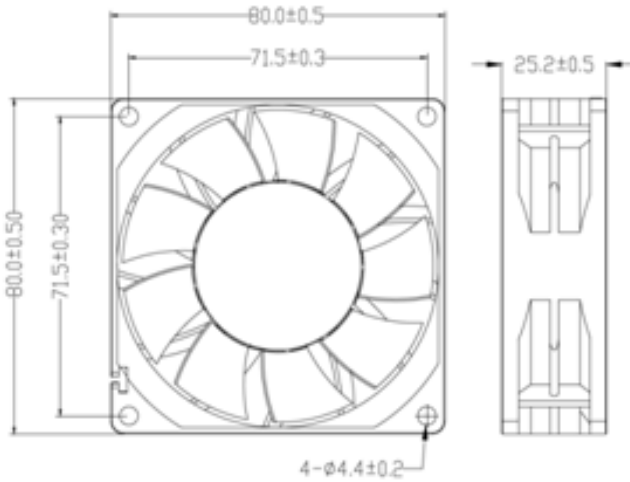


□80x80x25 mm

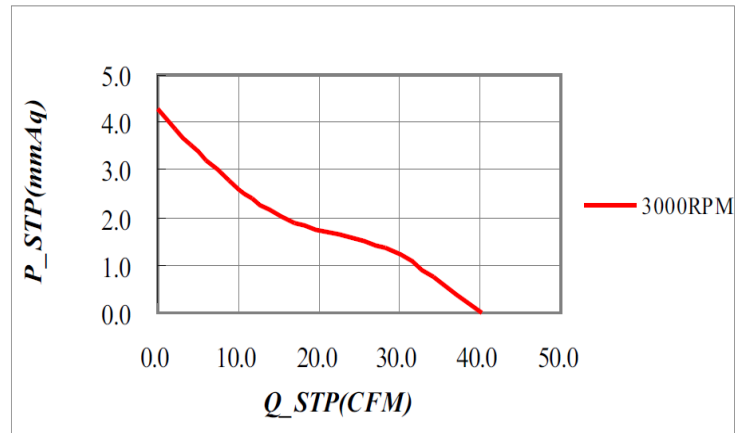


- Frame:** Thermoplastic PBT UL 94V-0
- Impeller:** Thermoplastic PBT 94V-0
- Ambient Temperature Range:** -10°C ~ +70°C
- Bearing:** Ball or Sleeve
- Termination:** Terminals or Lead wire
- Weight:** 78 g

Dimension (units:mm)



Characteristic Curves



SPECIFICATION

Model	Voltage (V)	Operating Range(V)	Freq. (Hz)	Power (W)	Speed (RPM)	Air Flow (CFM)	Air Flow (m3/min)	Pressure (in-H2O)	Noise (dB)
CYE18025HB	110	80-135	50/60	4	3000	40	1.14	0.18	38
CYE28025HB	220	180-265							

EC Axial Fan

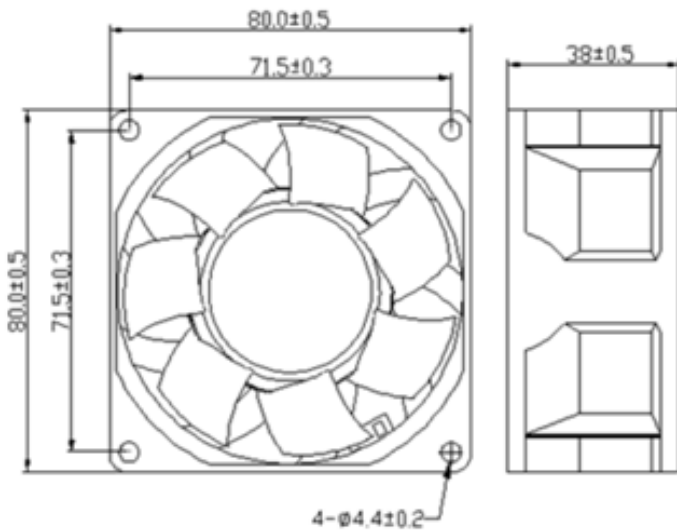


□80x80x38 mm

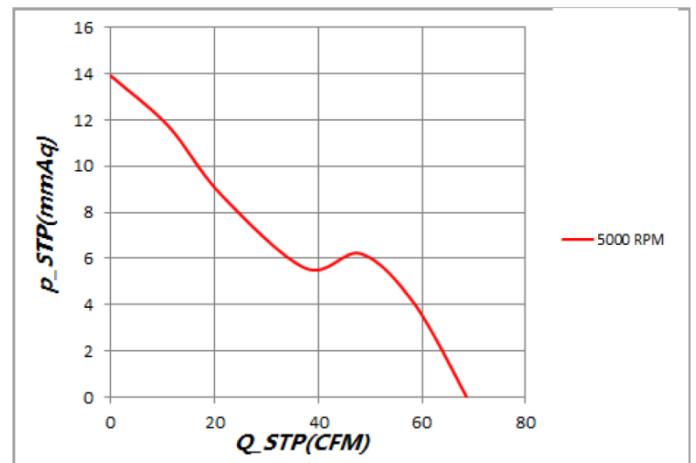


- Frame:** Thermoplastic PBT UL 94V-0
- Impeller:** Thermoplastic PBT 94V-0
- Ambient Temperature Range:** -10°C ~ +70°C
- Bearing:** Ball or Sleeve
- Termination:** Terminals or Lead wire
- Weight:** 177 g

Dimension (units:mm)



Characteristic Curves



SPECIFICATION

Model	Voltage (V)	Operating Range(V)	Freq. (Hz)	Power (W)	Speed (RPM)	Air Flow (CFM)	Air Flow (m3/min)	Pressure (in-H2O)	Noise (dB)
CYE18038HB	110	80-135	50/60	9	5000	62	1.76	0.45	52
CYE28038HB	220	180-265							

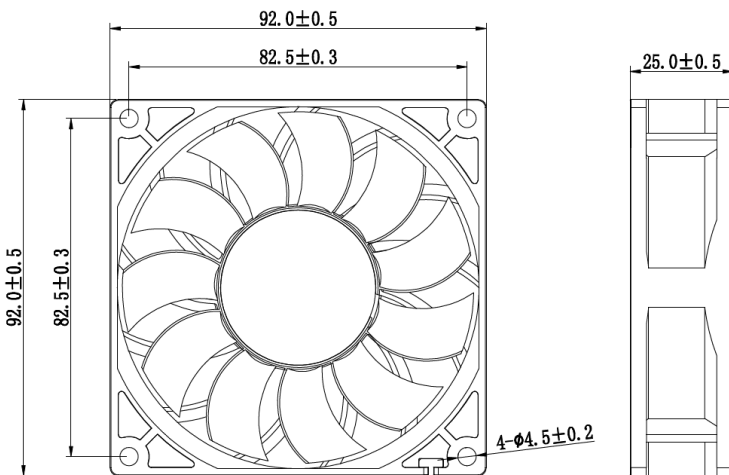


□92x92x25 mm

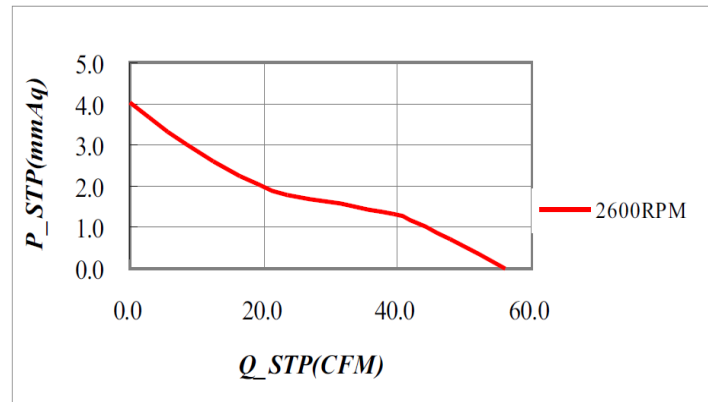


- Frame:** Thermoplastic PBT UL 94V-0
- Impeller:** Thermoplastic PBT 94V-0
- Ambient Temperature Range:** -10°C ~ +70°C
- Bearing:** Ball or Sleeve
- Termination:** Terminals or Lead wire
- Weight:** 102 g

Dimension (units:mm)



Characteristic Curves



SPECIFICATION

Model	Voltage (V)	Operating Range(V)	Freq. (Hz)	Power (W)	Speed (RPM)	Air Flow (CFM)	Air Flow (m3/min)	Pressure (in-H2O)	Noise (dB)
CYE19225HB	110	80-135	50/60	4.5	2600	56	1.59	0.16	35
CYE29225HB	220	180-265							

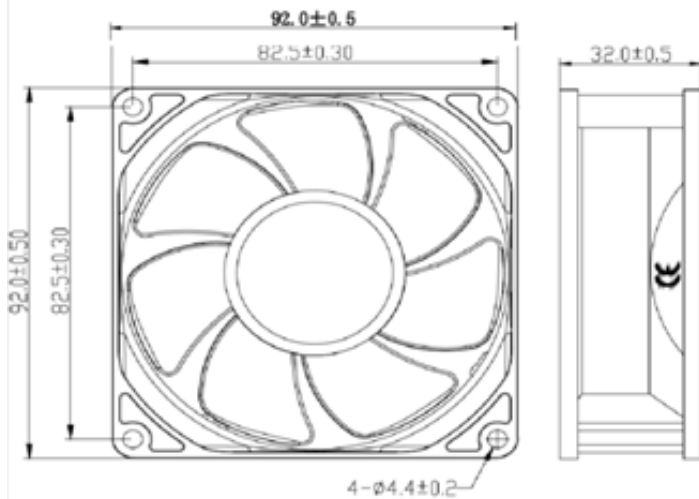


□ 92x92x32 mm

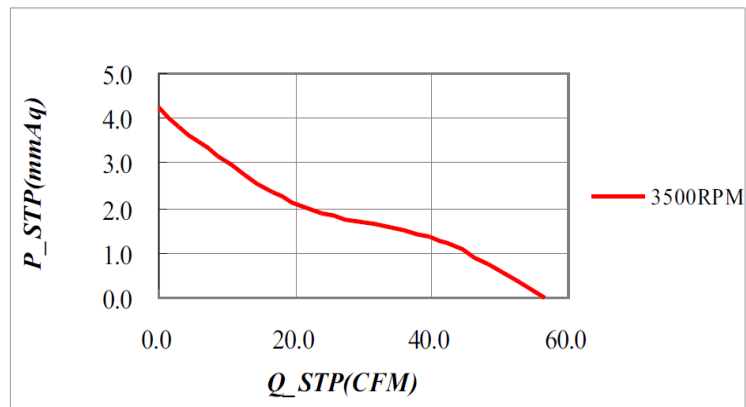


- Frame:** Thermoplastic PBT UL 94V-0
- Impeller:** Thermoplastic PBT 94V-0
- Ambient Temperature Range:** -10°C ~ +70°C
- Bearing:** Ball or Sleeve
- Termination:** Terminals or Lead wire
- Weight:** 195 g

Dimension (units:mm)



Characteristic Curves



SPECIFICATION

Model	Voltage (V)	Operating Range(V)	Freq. (Hz)	Power (W)	Speed (RPM)	Air Flow (CFM)	Air Flow (m3/min)	Pressure (in-H2O)	Noise (dB)
CYE19232HB	110	80-135	50/60	6	3500	56	1.60	0.17	43
CYE29232HB	220	180-265							

EC Axial Fan

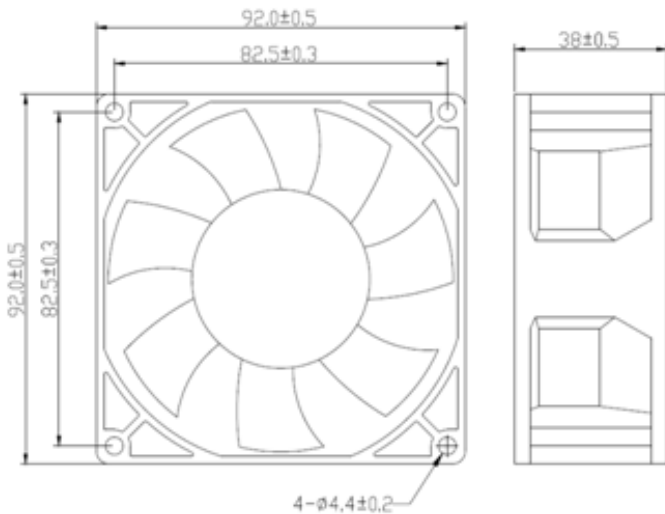


□ 92x92x38 mm

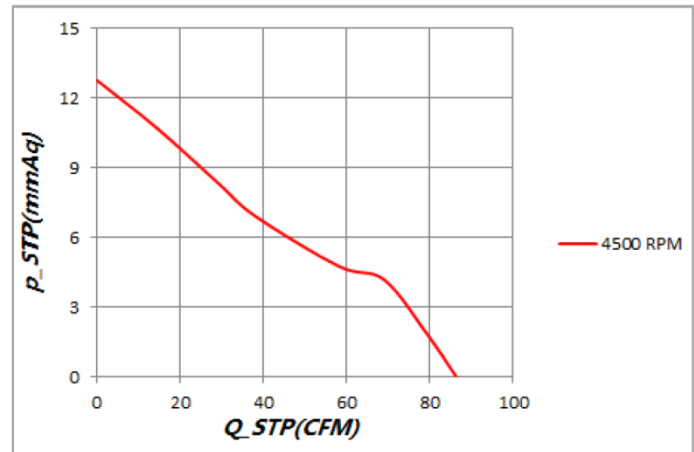


- Frame:** Thermoplastic PBT UL 94V-0
- Impeller:** Thermoplastic PBT 94V-0
- Ambient Temperature Range:** -10°C ~ +70°C
- Bearing:** Ball or Sleeve
- Termination:** Terminals or Lead wire
- Weight:** 202 g

Dimension (units:mm)



Characteristic Curves

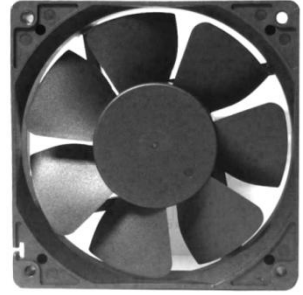


SPECIFICATION

Model	Voltage (V)	Operating Range(V)	Freq. (Hz)	Power (W)	Speed (RPM)	Air Flow (CFM)	Air Flow (m3/min)	Pressure (in-H2O)	Noise (dB)
CYE19238HB	110	80-135	50/60	11	4500	86	2.45	0.50	56
CYE29238HB	220	180-265							

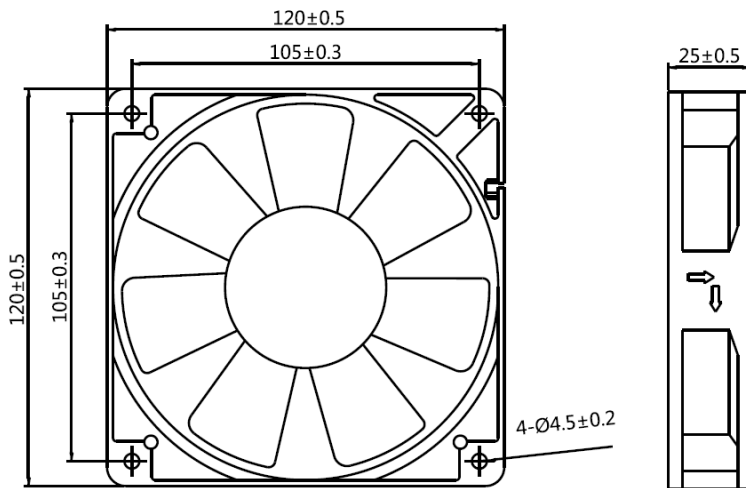


□120x120x25 mm

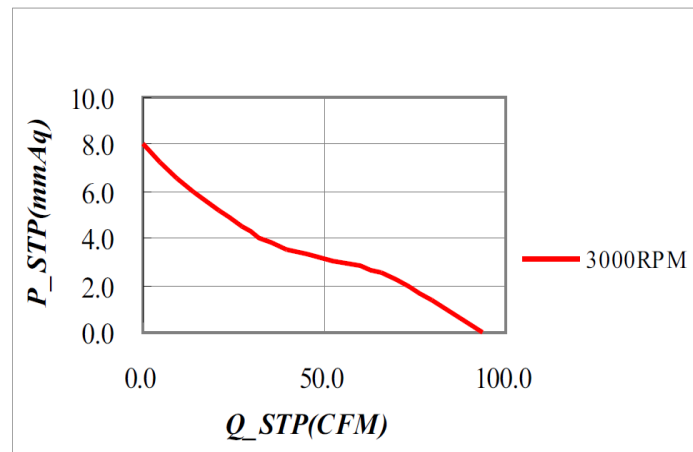


- Frame:** Thermoplastic PBT UL 94V-0
- Impeller:** Thermoplastic PBT 94V-0
- Ambient Temperature Range:** -10°C ~ +70°C
- Bearing:** Ball or Sleeve
- Termination:** Terminals or Lead wire
- Weight:** 172 g

Dimension (units:mm)



Characteristic Curves



SPECIFICATION

Model	Voltage (V)	Operating Range(V)	Freq. (Hz)	Power (W)	Speed (RPM)	Air Flow (CFM)	Air Flow (m3/min)	Pressure (in-H2O)	Noise (dB)
CYE11225HB	110	80-135	50/60	4.5	3000	93	2.66	0.31	49
CYE21225HB	220	180-265							



□120x120x38 mm (□4.69x4.69x1.5 in)



Frame: Die cast aluminum

Impeller: Thermoplastic PBT UL94V-0

Ambient Temperature Range: -20°C ~ +70°C

Operating Voltage Range: Rated Voltage ±10%

Bearing: Ball or Sleeve

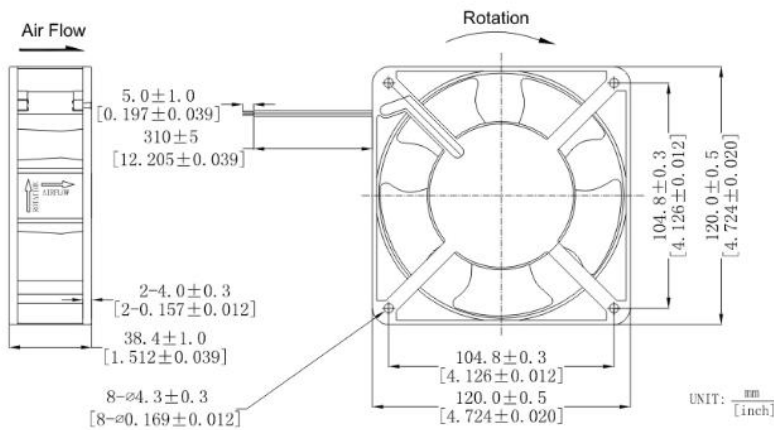
Motor Structure:

Motor protection:

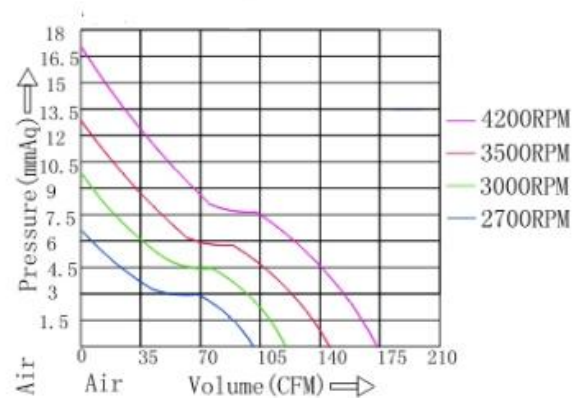
Termination: Terminals or Lead wire 290~340mm

Package: 250g / PC

Dimension (units:mm)



Characteristic Curves



SPECIFICATION

Model	Voltage (V)	Freq. (Hz)	Power (W)	Speed (RPM)	Air Flow (CFM)	Air Flow (m3/min)	Pressure (in-H2O)	Noise (dB)
CYE11238HB	80-130	45-65	8.2	3500	142	4.02	0.51	52
CYE11238XB	80-130	45-65	11.7	4200	170	4.81	0.66	55
CYE21238HB	100-240	45-65	8.2	3500	142	4.02	0.51	52
CYE21238XB	100-240	45-65	11.7	4200	170	4.81	0.66	55

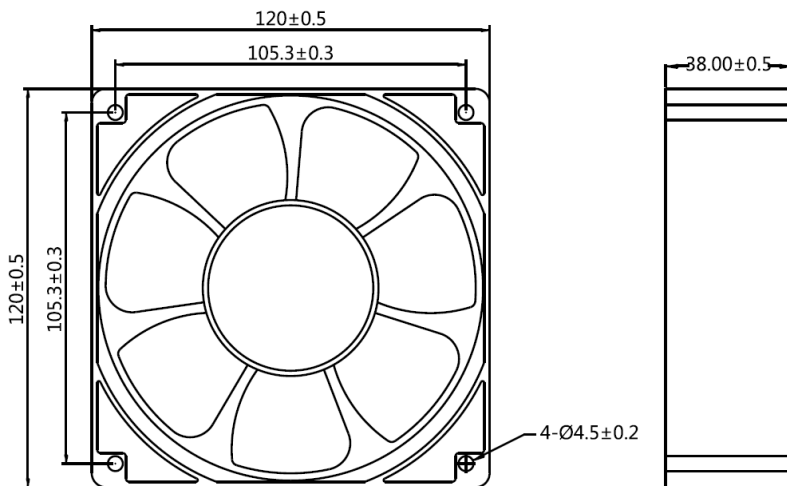


□120x120x38 mm

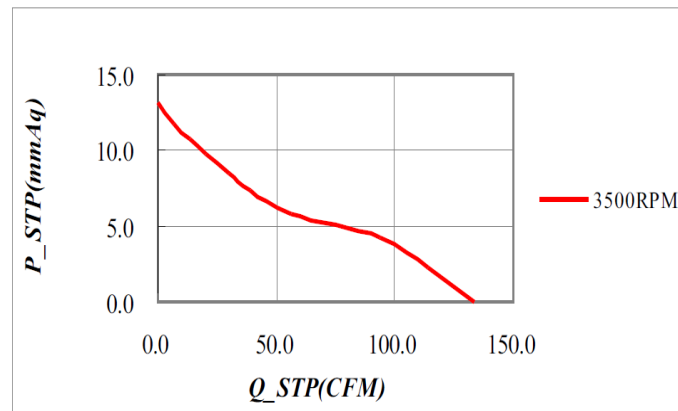


- Frame:** Thermoplastic PBT UL 94V-0
- Impeller:** Thermoplastic PBT 94V-0
- Ambient Temperature Range:** -10°C ~ +70°C
- Bearing:** Ball or Sleeve
- Termination:** Terminals or Lead wire
- Weight:** 301 g

Dimension (units:mm)



Characteristic Curves



SPECIFICATION

Model	Voltage (V)	Operating Range(V)	Freq. (Hz)	Power (W)	Speed (RPM)	Air Flow (CFM)	Air Flow (m3/min)	Pressure (in-H2O)	Noise (dB)
CYE11238HB	110	80-135	50/60	15	3500	133	3.8	0.52	52
CYE21238HB	220	180-265							

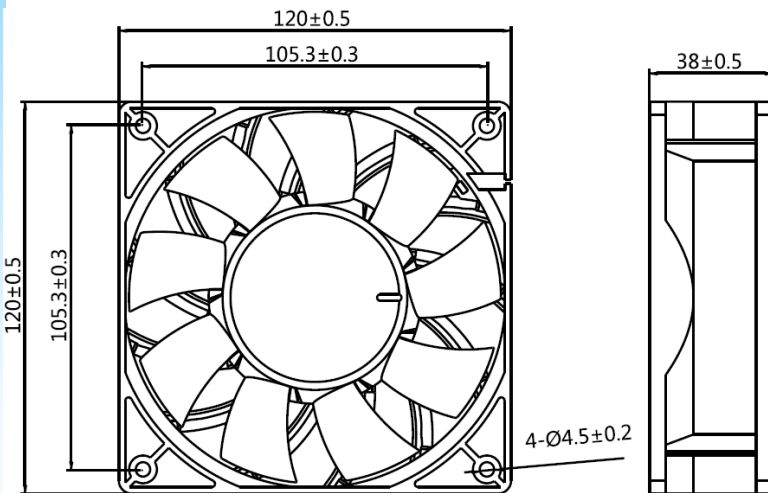


□120x120x38 mm

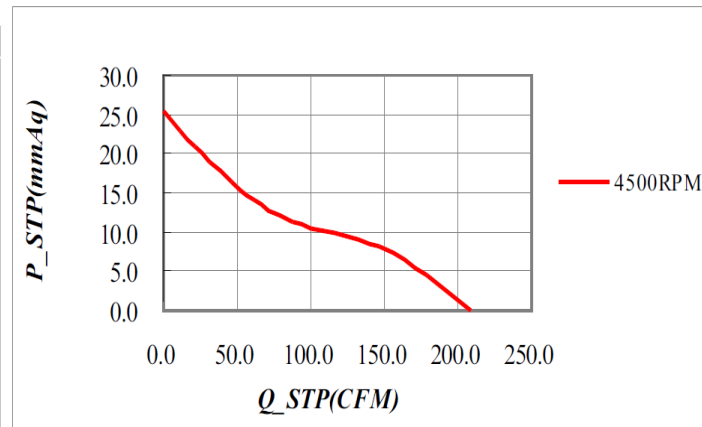


- Frame:** Thermoplastic PBT UL 94V-0
- Impeller:** Thermoplastic PBT 94V-0
- Ambient Temperature Range:** -10°C ~ +70°C
- Bearing:** Ball or Sleeve
- Termination:** Terminals or Lead wire
- Weight:** 294 g

Dimension (units:mm)



Characteristic Curves



SPECIFICATION

Model	Voltage (V)	Operating Range(V)	Freq. (Hz)	Power (W)	Speed (RPM)	Air Flow (CFM)	Air Flow (m3/min)	Pressure (in-H2O)	Noise (dB)
CYE11238SB	110	80-135	50/60	30	4500	209	5.94	1.0	64
CYE21238SB	220	180-265							

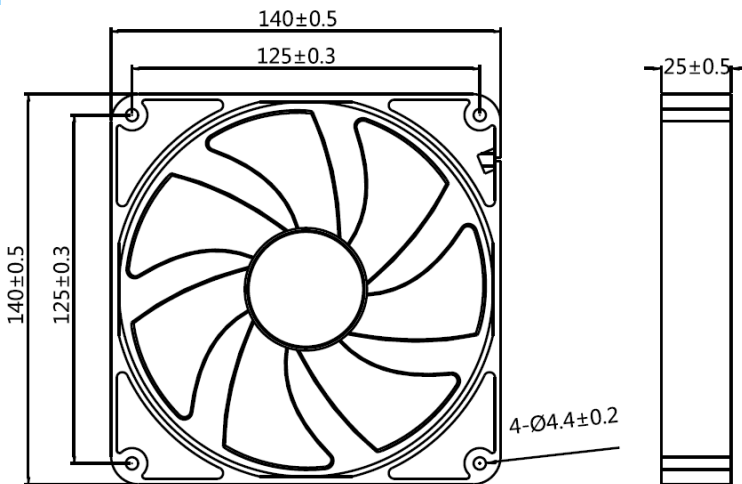


□140x140x25 mm

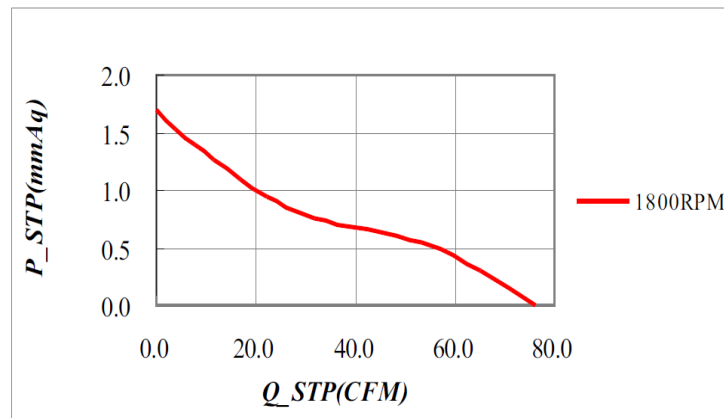


- Frame:** Thermoplastic PBT UL 94V-0
- Impeller:** Thermoplastic PBT 94V-0
- Ambient Temperature Range:** -10°C ~ +70°C
- Bearing:** Ball or Sleeve
- Termination:** Terminals or Lead wire
- Weight:** 166 g

Dimension (units:mm)



Characteristic Curves

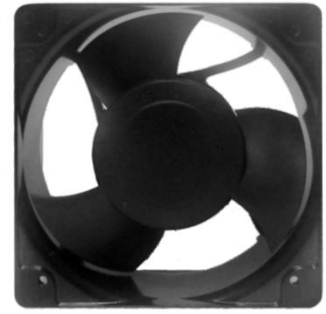


SPECIFICATION

Model	Voltage (V)	Operating Range(V)	Freq. (Hz)	Power (W)	Speed (RPM)	Air Flow (CFM)	Air Flow (m3/min)	Pressure (in-H ₂ O)	Noise (dB)
CYE11425HB	110	80-135	50/60	4	1800	76	2.16	0.07	38
CYE21425HB	220	180-265							



□150x150x50 mm



Frame: Aluminum

Impeller: Thermoplastic PBT 94V-0

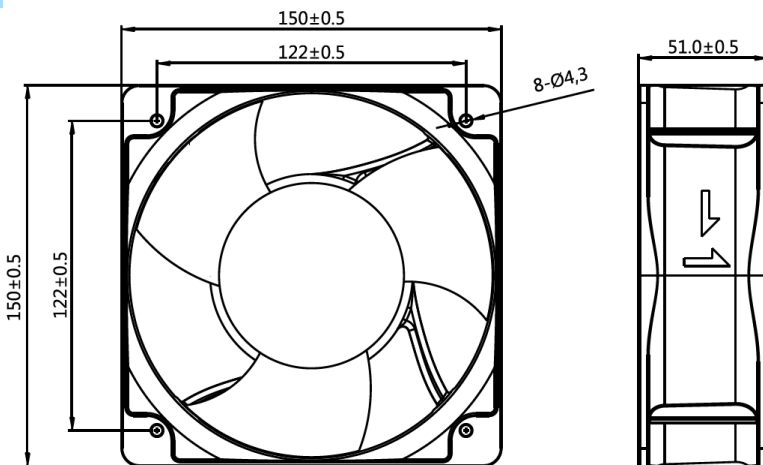
Ambient Temperature Range: -10°C ~ +70°C

Bearing: Ball

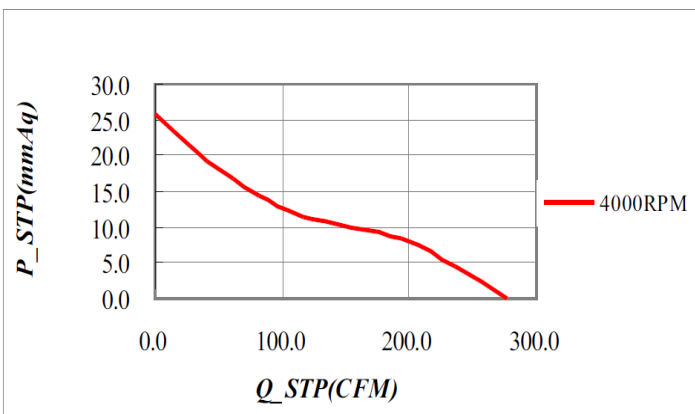
Termination: Terminals or Lead wire

Weight: 700 g

Dimension (units:mm)



Characteristic Curves



SPECIFICATION

Model	Voltage (V)	Operating Range(V)	Freq. (Hz)	Power (W)	Speed (RPM)	Air Flow (CFM)	Air Flow (m3/min)	Pressure (in-H2O)	Noise (dB)
CYE11550MB	110	80-135	50/60	38	4000	276	7.86	1.02	64
CYE21550MB	220	180-265							



□ 150x150x50 mm



Frame: Aluminum

Impeller: Thermoplastic PBT 94V-0

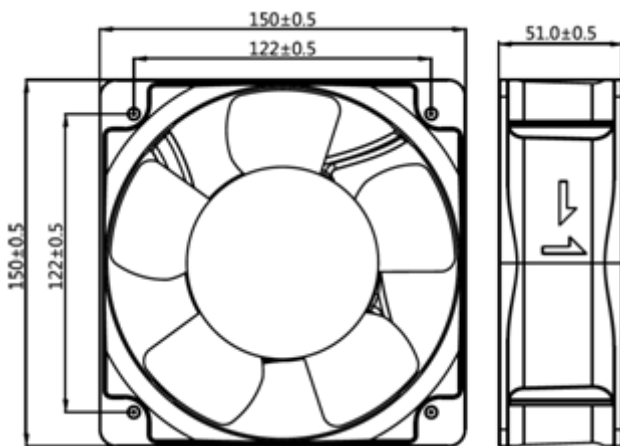
Ambient Temperature Range: -10°C ~ +70°C

Bearing: Ball

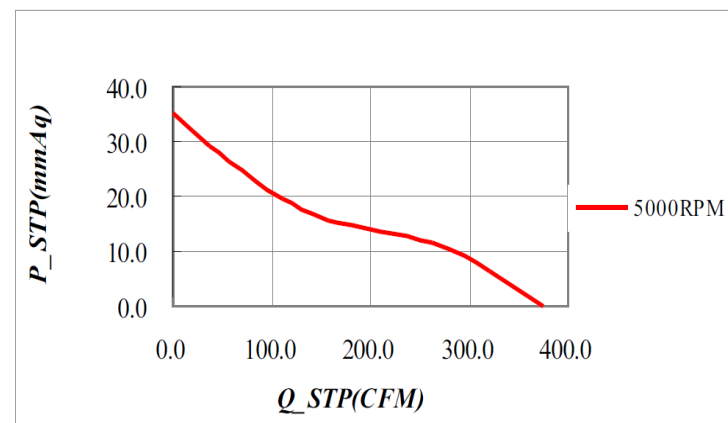
Termination: Terminals or Lead wire

Weight: 700 g

Dimension (units:mm)



Characteristic Curves



SPECIFICATION

Model	Voltage (V)	Operating Range(V)	Freq. (Hz)	Power (W)	Speed (RPM)	Air Flow (CFM)	Air Flow (m3/min)	Pressure (in-H2O)	Noise (dB)
CYE11550SB	110	80-135	50/60	64	4000	375	10.66	1.39	71
CYE21550SB	220	180-265		55					



□ **150x150x50 mm**



Frame: Aluminum

Impeller: Thermoplastic PBT 94V-0

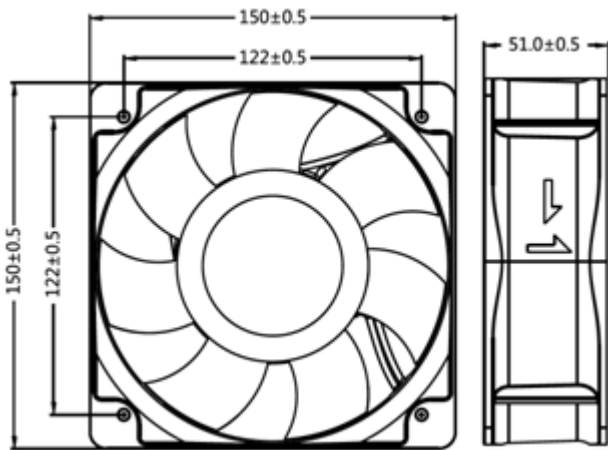
Ambient Temperature Range: -10°C ~ +70°C

Bearing: Ball

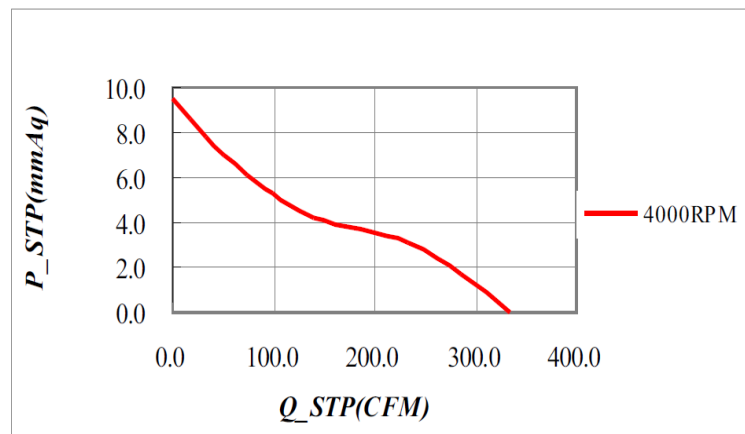
Termination: Terminals or Lead wire

Weight: 700 g

Dimension (units:mm)



Characteristic Curves



SPECIFICATION

Model	Voltage (V)	Operating Range(V)	Freq. (Hz)	Power (W)	Speed (RPM)	Air Flow (CFM)	Air Flow (m3/min)	Pressure (in-H2O)	Noise (dB)
CYE11550HB	110	80-135	50/60	61	4000	333	9.48	0.94	69
CYE21550HB	220	180-265		66					



□171x50 mm



Frame: Aluminum

Impeller: Thermoplastic PBT 94V-0

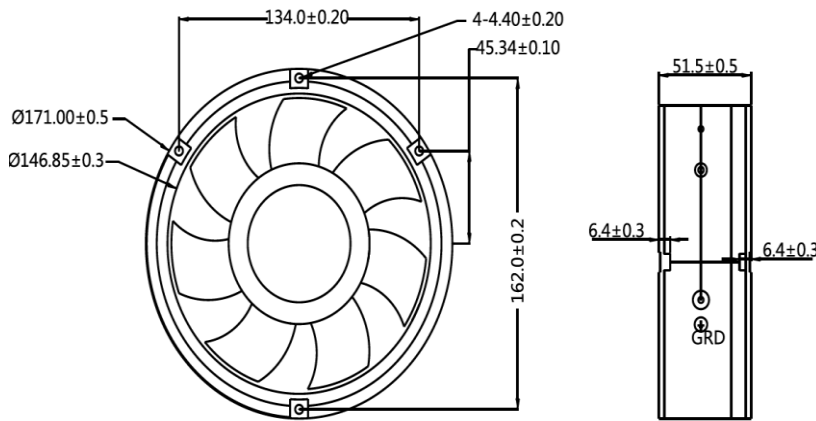
Ambient Temperature Range: -10°C ~ +70°C

Bearing: Ball

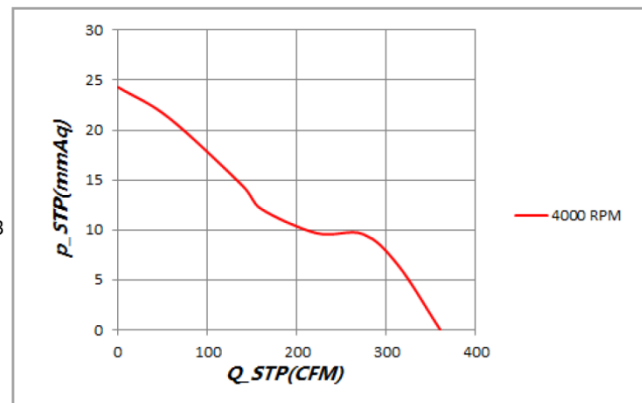
Termination: Terminals or Lead wire

Weight: 690 g

Dimension (units:mm)



Characteristic Curves



SPECIFICATION

Model	Voltage (V)	Operating Range(V)	Freq. (Hz)	Power (W)	Speed (RPM)	Air Flow (CFM)	Air Flow (m3/min)	Pressure (in-H2O)	Noise (dB)
CYE11750HB	110	80-135	50/60	61	4000	360	10.21	0.96	67
CYE21750HB	220	180-265		60					



□171x150x51 mm



Frame: Aluminum

Impeller: Thermoplastic PBT 94V-0

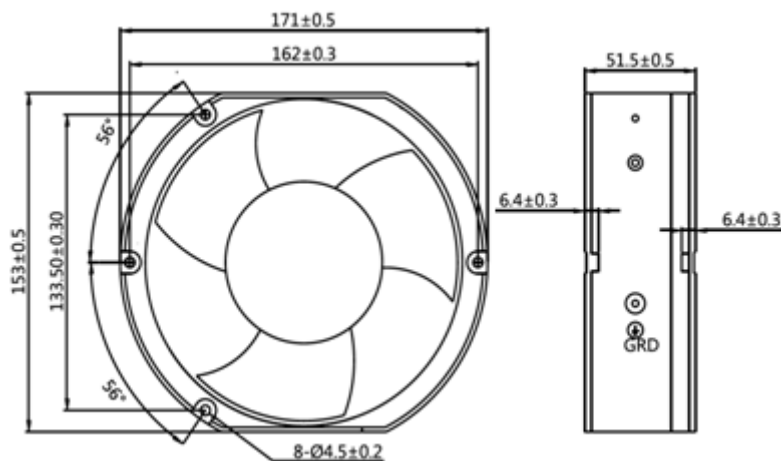
Ambient Temperature Range: -10°C ~ +70°C

Bearing: Ball

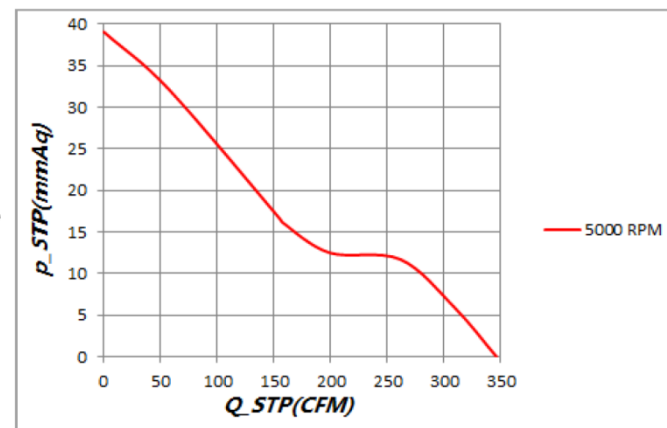
Termination: Terminals or Lead wire

Weight: 655 g

Dimension (units:mm)



Characteristic Curves



SPECIFICATION

Model	Voltage (V)	Operating Range(V)	Freq. (Hz)	Power (W)	Speed (RPM)	Air Flow (CFM)	Air Flow (m3/min)	Pressure (in-H2O)	Noise (dB)
CYE11751HB	110	80-135	50/60	70	5000	346	9.81	1.54	71
CYE21751HB	220	180-265		65					



□171x150x51 mm



Frame: Aluminum

Impeller: Thermoplastic PBT 94V-0

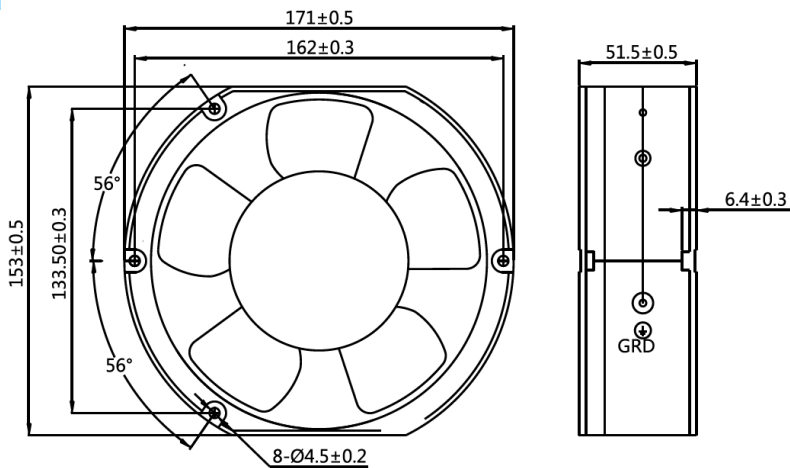
Ambient Temperature Range: -10°C ~ +70°C

Bearing: Ball

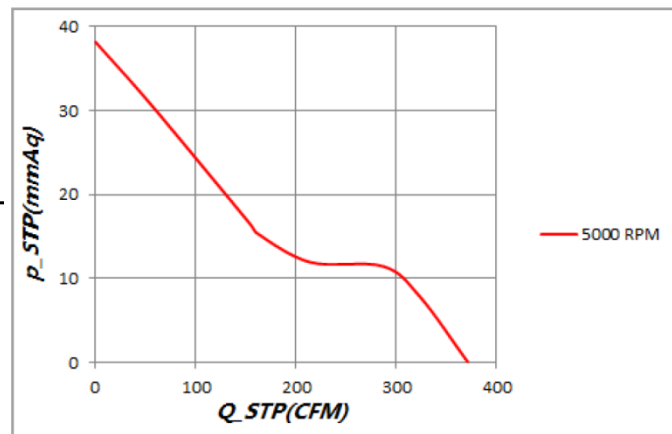
Termination: Terminals or Lead wire

Weight: 655 g

Dimension (units:mm)



Characteristic Curves



SPECIFICATION

Model	Voltage (V)	Operating Range(V)	Freq. (Hz)	Power (W)	Speed (RPM)	Air Flow (CFM)	Air Flow (m3/min)	Pressure (in-H2O)	Noise (dB)
CYE11751SB	110	80-135	50/60	64	5000	371	10.53	1.5	69
CYE21751SB	220	180-265		55					



□ 200x200x60 mm



Frame: Aluminum

Impeller: Thermoplastic PBT 94V-0

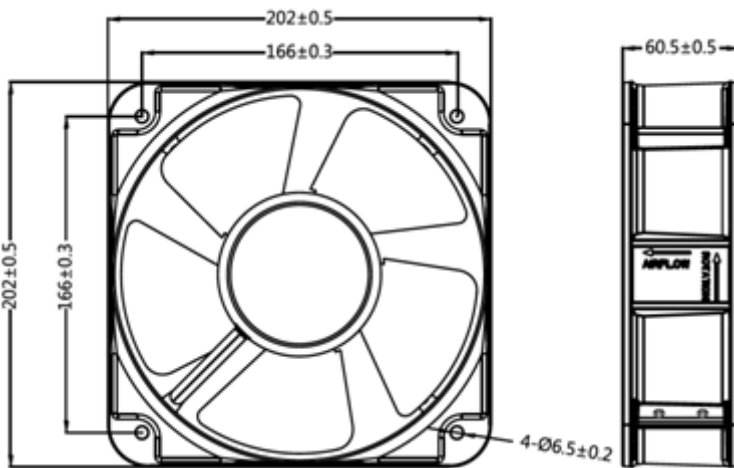
Ambient Temperature Range: -10°C ~ +70°C

Bearing: Ball

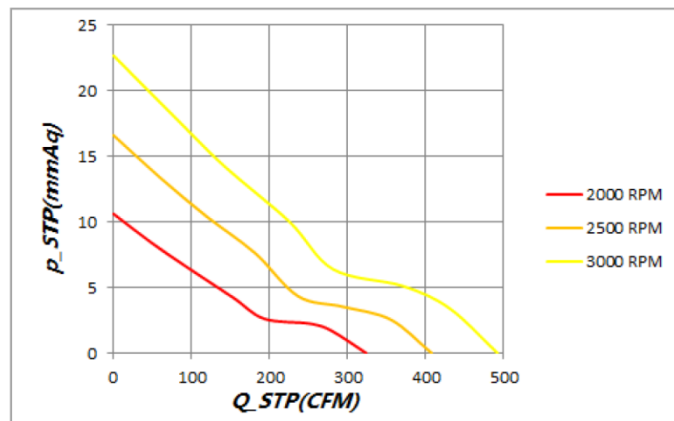
Termination: Terminals or Lead wire

Weight: 2800 g

Dimension (units:mm)



Characteristic Curves



SPECIFICATION

	Voltage (V)	Operating Range (V)	Freq. (Hz)	Power (W)	Speed (RPM)	Air Flow (CFM)	Air Flow (m3/min)	Pressure (in-H2O)	Noise (dB)
CYE12060LB	110	80-135	50/60	40	2000	324	9.17	0.42	58
CYE12060MB	110	80-135	50/60	50	2500	407	11.55	0.65	62
CYE12060HB	110	80-135	50/60	70	3000	492	13.94	0.89	68
CYE22060LB	220	180-265	50/60	40	2000	324	9.17	0.42	58
CYE22060MB	220	180-265	50/60	50	2500	407	11.55	0.65	62
CYE22060HB	220	180-265	50/60	70	3000	492	13.94	0.89	68



□ 254x89 mm



Frame: Aluminum

Impeller: Thermoplastic PBT 94V-0

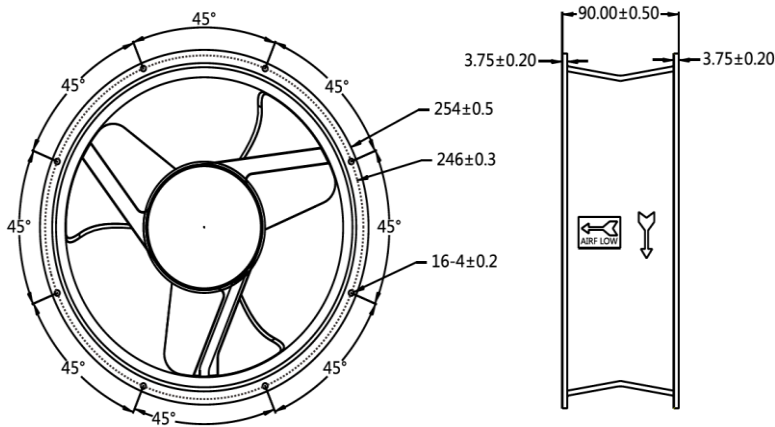
Ambient Temperature Range: -10°C ~ +70°C

Bearing: Ball

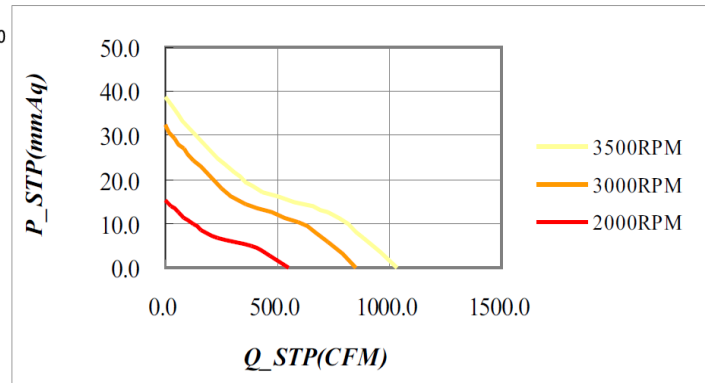
Termination: Terminals or Lead wire

Weight: 2600 g

Dimension (units:mm)



Characteristic Curves



SPECIFICATION

	Voltage (V)	Operating Range (V)	Freq. (Hz)	Power (W)	Speed (RPM)	Air Flow (CFM)	Air Flow (m3/min)	Pressure (in-H2O)	Noise (dB)
CYE12589LB	110	80-135	50/60	31	2000	548	15.58	0.61	66
CYE12589MB	110	80-135	50/60	95	3000	847	24.07	1.28	75
CYE12589HB	110	80-135	50/60	145	3500	1035	29.4	1.52	80
CYE22589LB	220	180-265	50/60	35	2000	548	15.58	0.61	66
CYE22589MB	220	180-265	50/60	100	3000	847	24.07	1.28	75
CYE22589HB	220	180-265	50/60	150	3500	1035	29.4	1.52	80

EC Axial Fan